

CONDITIONS OF RELEASE

(Applicable to copies supplied with War Office approval to Commonwealth and Foreign Governments)

1. This document contains classified UK information.
2. This information is disclosed only for official use by the recipient Government and (if so agreed by HM Government) such of its contractors, under seal of secrecy, as may be engaged on a defence project. Disclosure or release to any other Government, national of another country, any unauthorized person, the Press, or in any other way would be a breach of the conditions under which the document is issued.
3. This information will be safeguarded under rules designed to give the same standard of security as those maintained by HM Government in the UK.

ELEVATED AERIAL, 23-38MC/S, KIT NO 1

ELEVATED AERIAL, 36-60MC/S, KIT NO 1

TECHNICAL HANDBOOK - FIELD AND BASE REPAIRS

INTRODUCTION

1. This regulation provides information to assist in the repair of the Elevated aerial, 23-38Mc/s and Elevated aerial, 36-60Mc/s.

STRIPPING AND ASSEMBLY INSTRUCTIONS

Mounting, aerial and plug assembly

2. Remove the six screws and nuts securing the stay plate to the cover. Complete access is now possible to the pigtail connection and the co-axial plug assembly.

Aerial assembly

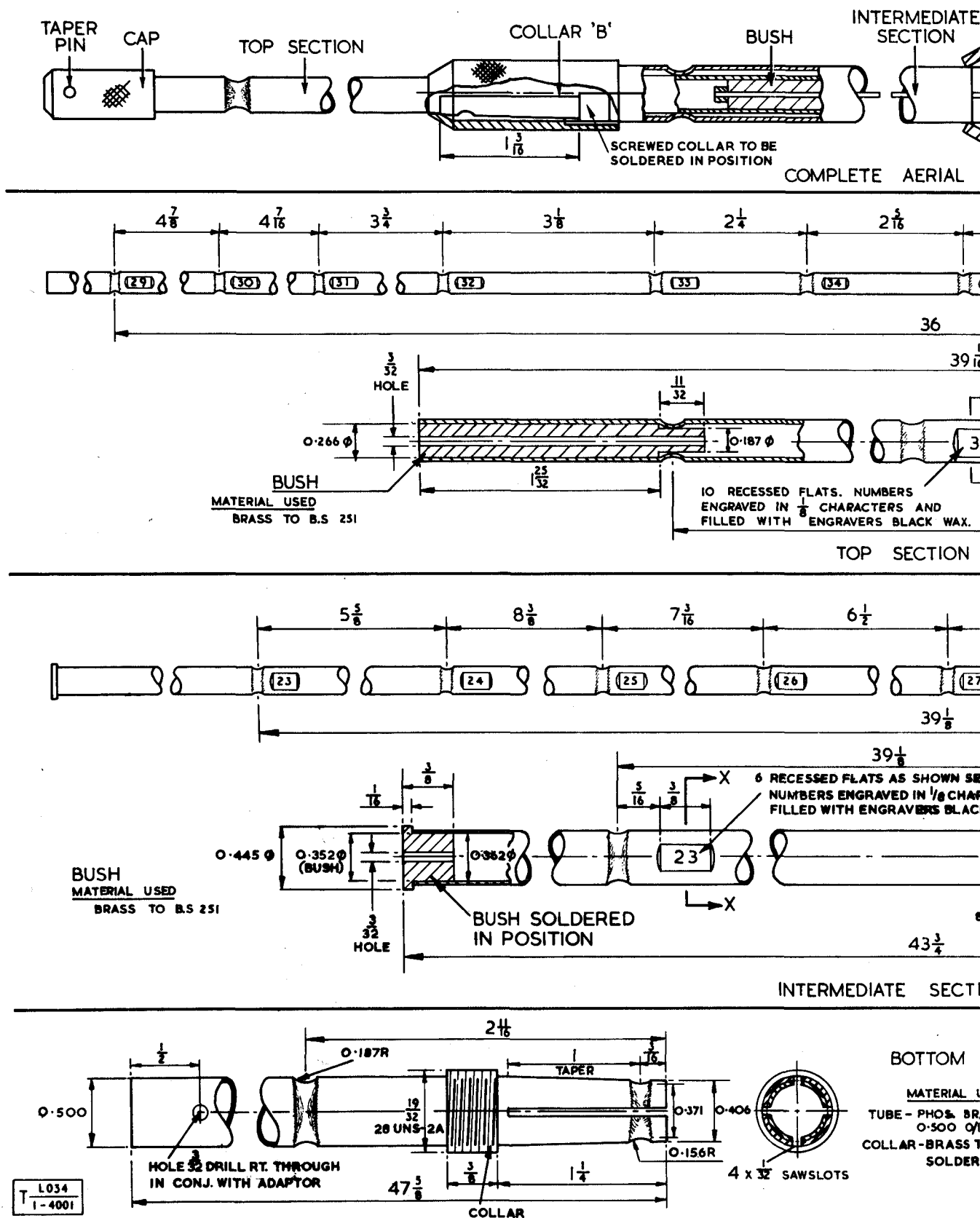
3. Stripping, proceed as follows:-
 - (a) Remove the rivet securing the adaptor to the lower end of the bottom element and detach the adaptor.
 - (b) Punch out the taper pin securing the top cap and remove the cap.
 - (c) Unscrew and remove the upper coupling sleeve.
 - (d) Using a blow lamp, unsolder the upper threaded collar and remove it.
 - (e) Ease the intermediate element through the bottom element until the lower end of the element appears. Locate the nipple at the end of the brass rod and unsolder it.
 - (f) Ease the top element out of the upper end of the intermediate element, and remove the brass rod leaving the upper nipple in place.

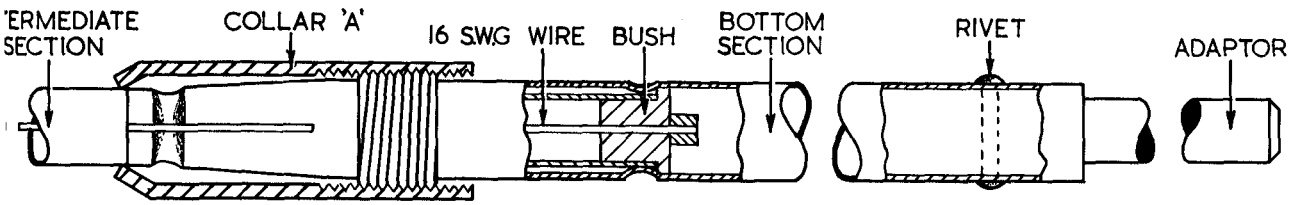
- (g) Ease the intermediate element through the lower end of the lower element.
- (h) Unscrew the lower coupling tube and remove it. The aerial is now fully stripped.

4. Assembly, proceed as follows:-

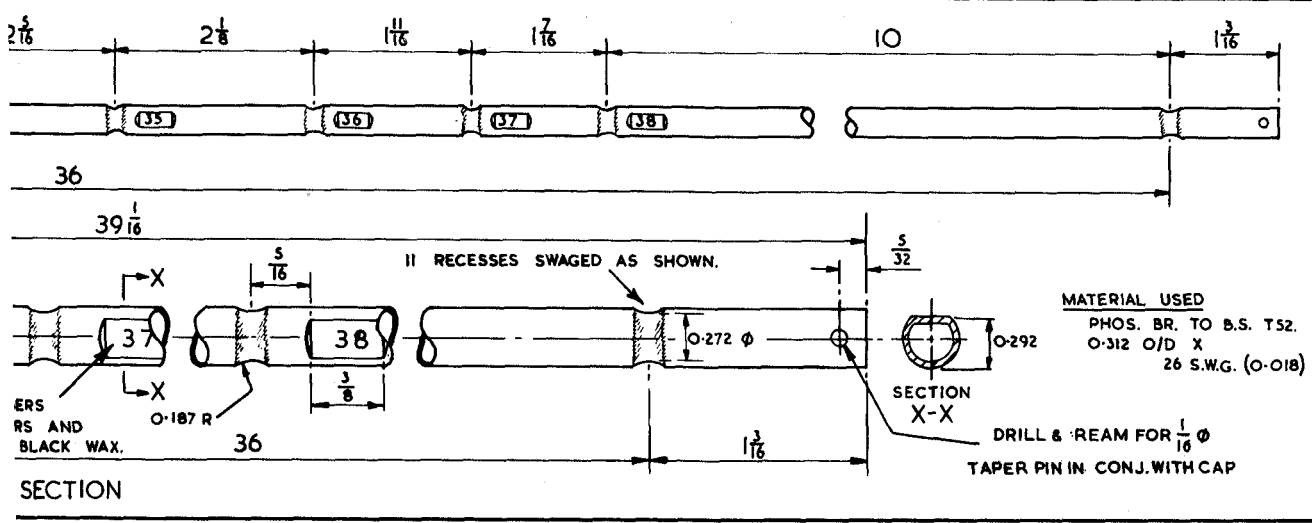
- (a) Ensure that the component parts of the aerial assembly are free from grease and dirt, and in particular that the brass rod is perfectly straight.
- (b) Pass the free end of the brass rod through the open end of the top element and carefully thread it through the bush at the other end of the element. When the free end of the rod appears, pull the rod to its fullest extent until the nipple butts against the top element bush.
- (c) Thread this projecting rod through the open end of the intermediate element and ease the rod and the top element through the intermediate until the free end of the rod appears through the lower bush. This operation requires patience and care must be taken to ensure that the rod does not kink or bend.
- (d) Solder the nipple on the free end of the rod and withdraw the top element until it projects through the top of the intermediate element.
- (e) Now pass the projecting end of the top element through the lower end of the lower element until it projects from the top. Slide on and tighten the lower coupling tube.
- (f) Resolder the upper threaded collar in its original position and replace the upper coupling tube.
- (g) Replace the top cap and taper pin. Replace the adaptor and rivet over. Close the aerial and retighten the coupling tubes. The aerial is now fully assembled.

Note: The next Page is Page 1001

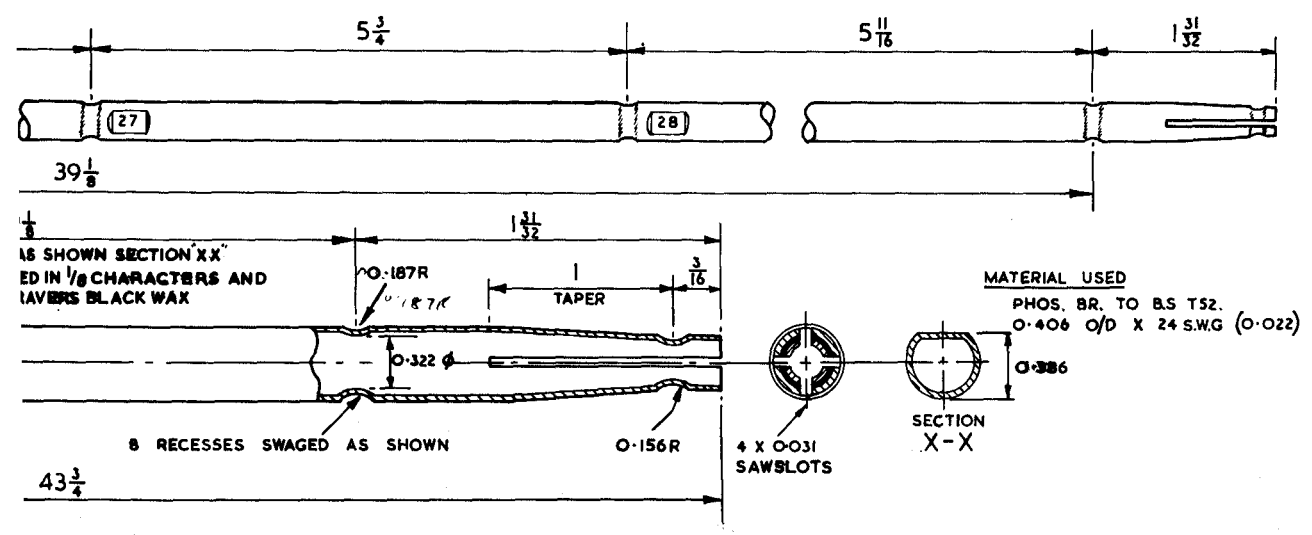




AERIAL ASSEMBLY



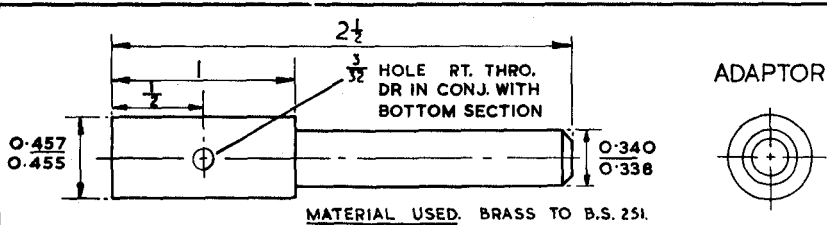
SECTION



E SECTION

BOTTOM SECTION

MATERIAL USED
E- PHOS. BR. TO B.S T52.
O.500 O/D X 24 S.W.G.
AR-BRASS TO BS 251
SOLDERED IN POSITION



DIMENSIONS IN INCHES

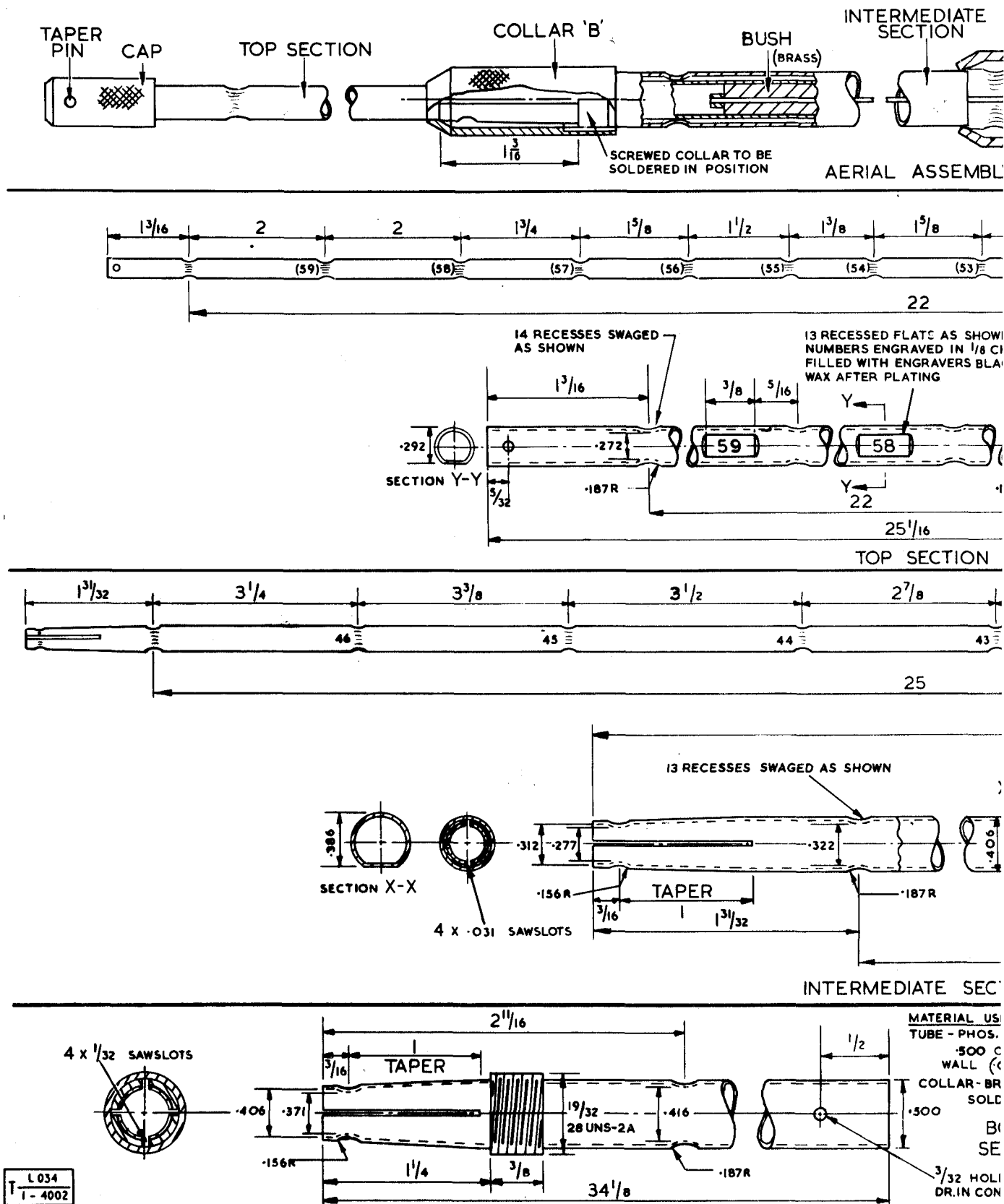
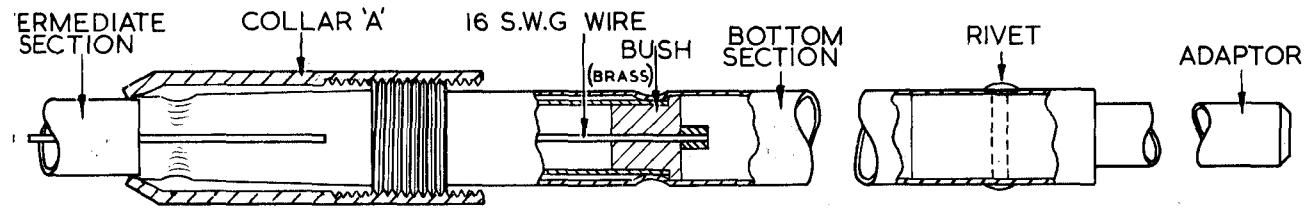
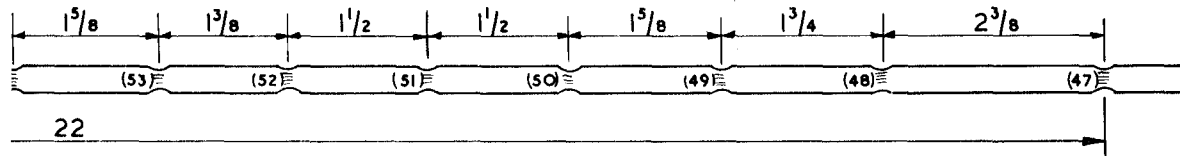


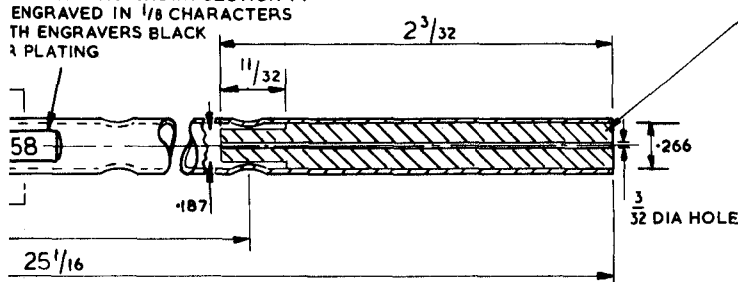
Fig 4002 - Elevated aeri



AL ASSEMBLY



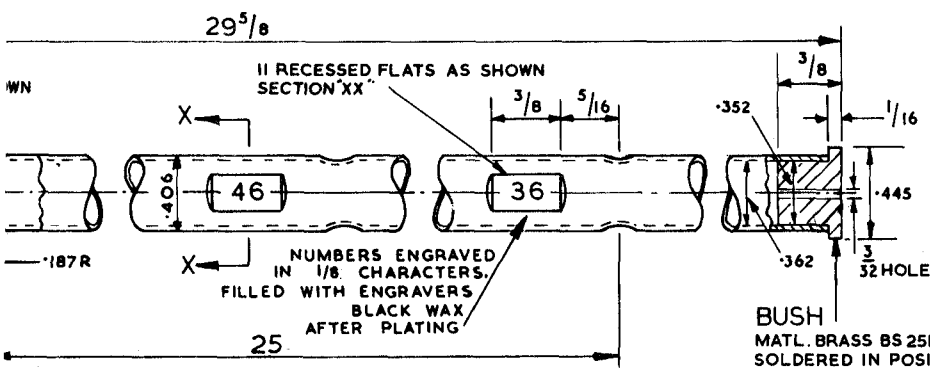
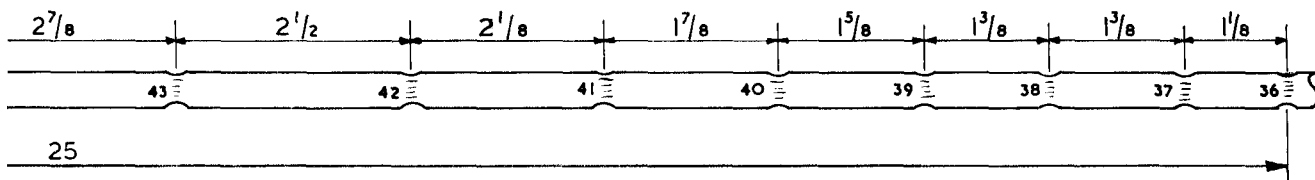
ED FLATS AS SHOWN SECTION 'YY'
ENGRAVED IN 1/8 CHARACTERS
TH ENGRAVERS BLACK
3 PLATING



BUSH MATL. BRASS TO BS 251
SOLDERED IN POSITION

MATERIAL USED
PHOS. BR. TO B.S. T52
.312 O/DIA X 26 SWG WALL (.018)

OP SECTION

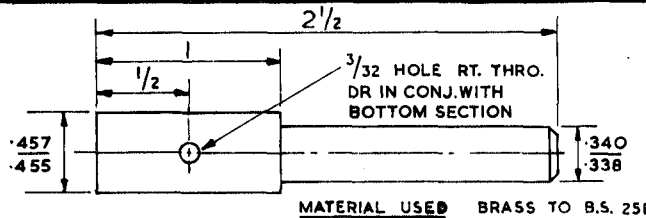


MATERIAL USED
PHOS. BR. TO B.S. T52
.406 O/DIA X 24 SWG WALL (.022)

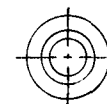
BUSH
MATL. BRASS BS 251
SOLDERED IN POSITION

MEDIATE SECTION

MATERIAL USED
TUBE - PHOS. BR. TO B.S. T52
.500 O/DIA X 24 S.W.G
WALL (.022)
COLLAR - BRASS TO BS 251
SOLDERED IN POSITION
BOTTOM
SECTION
3/32 HOLE RT. THRO.
DR. IN CONJ. WITH ADAPTOR

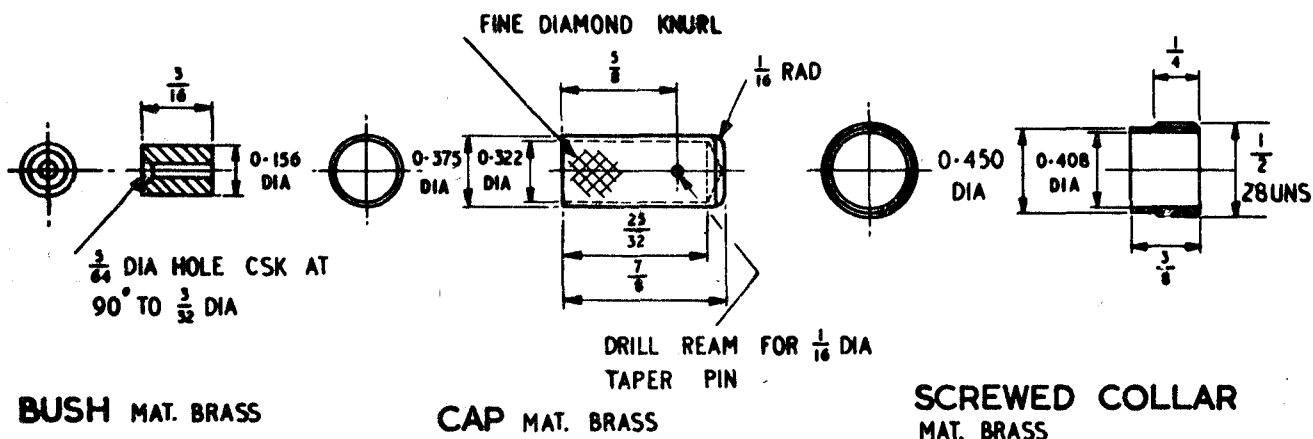
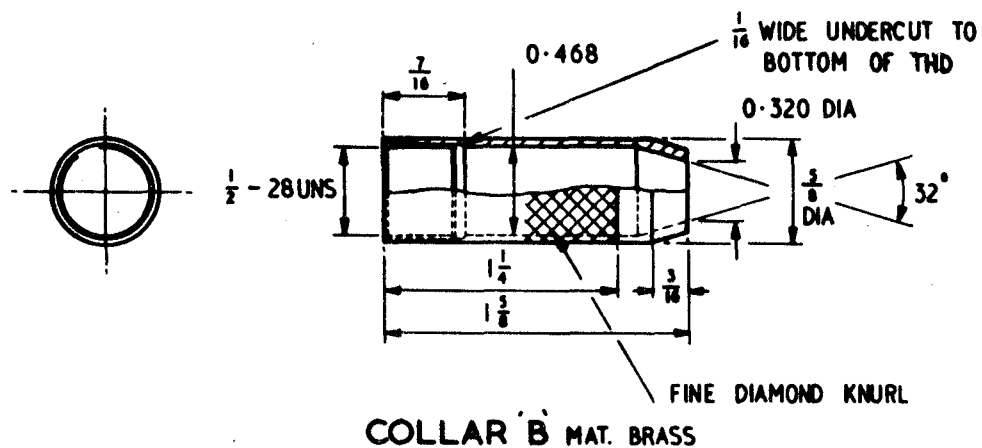
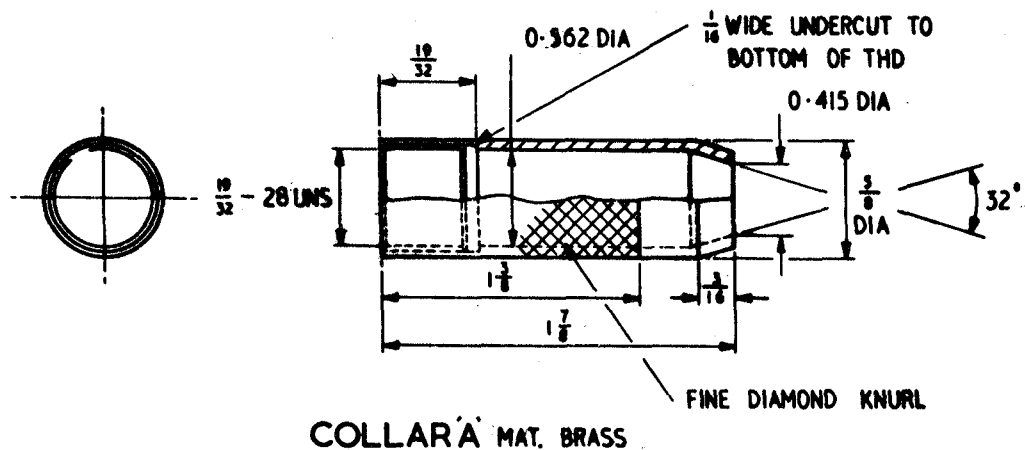


ADAPTOR



MATERIAL USED BRASS TO B.S. 251

DIMENSIONS IN INCHES



DIMENSIONS IN INCHES
FINISH REFER TO EMER
WORKSHOPS N221 & N251

L 034
T 1-0005

Fig 4003 - Collars, cap and bush elevated aerials